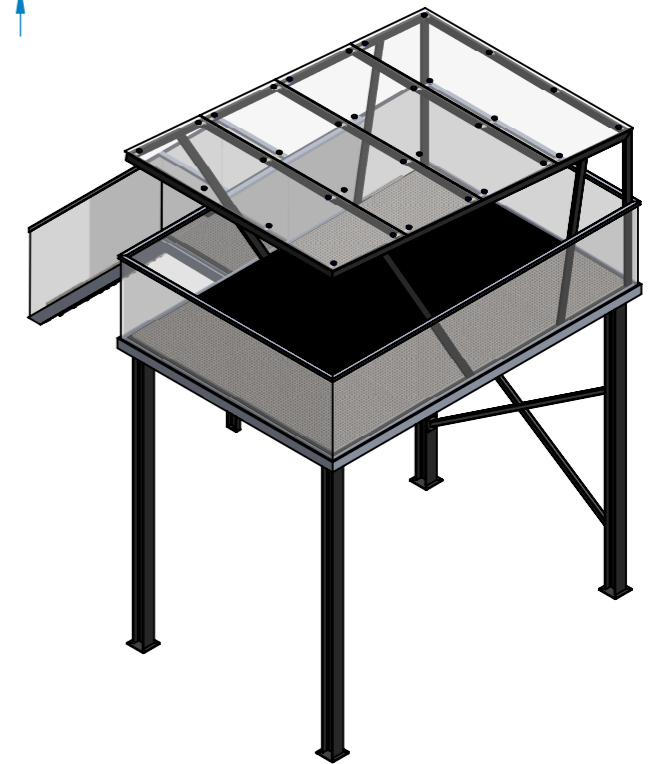
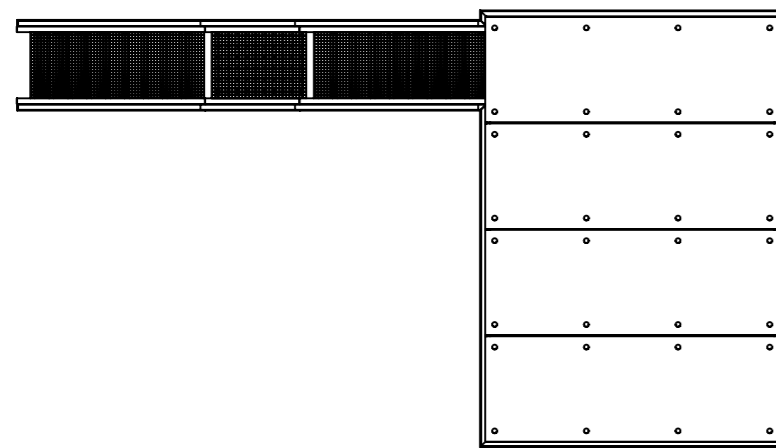
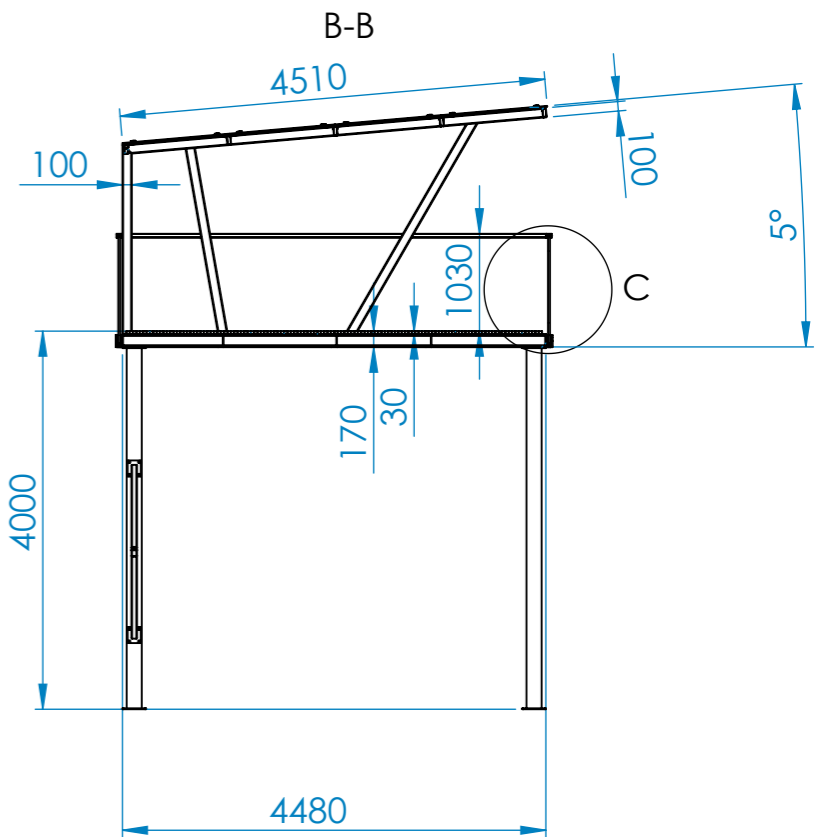
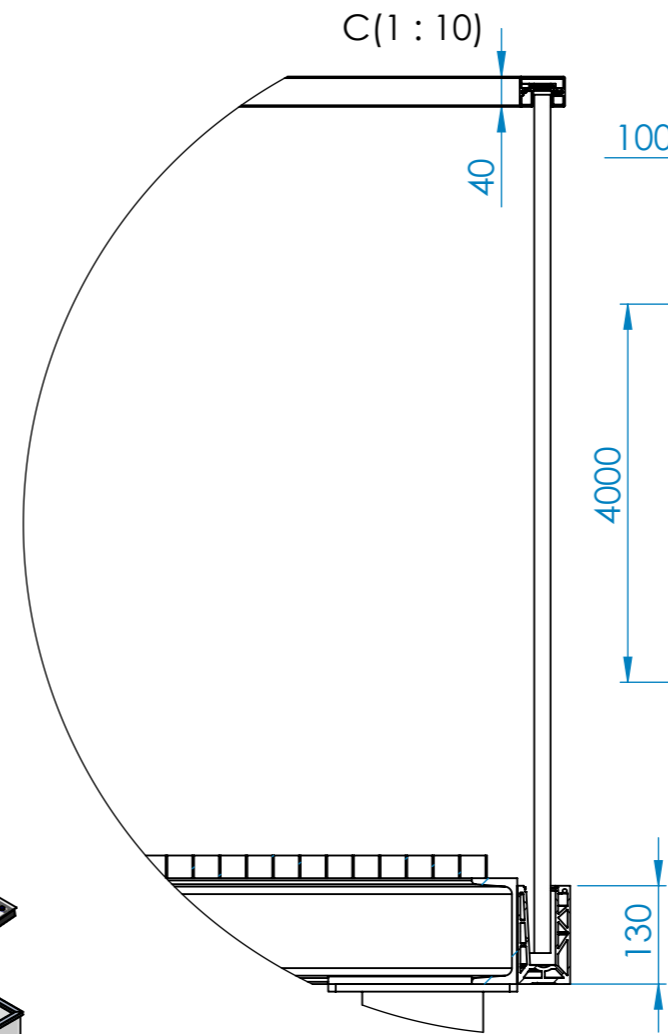
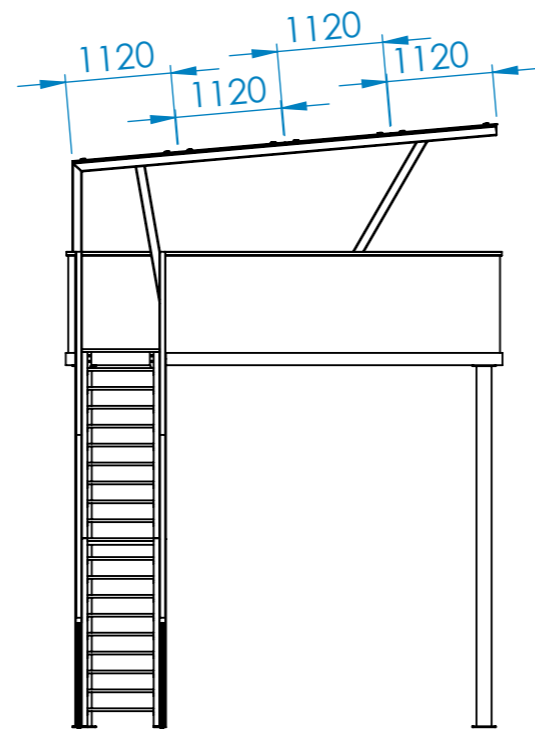
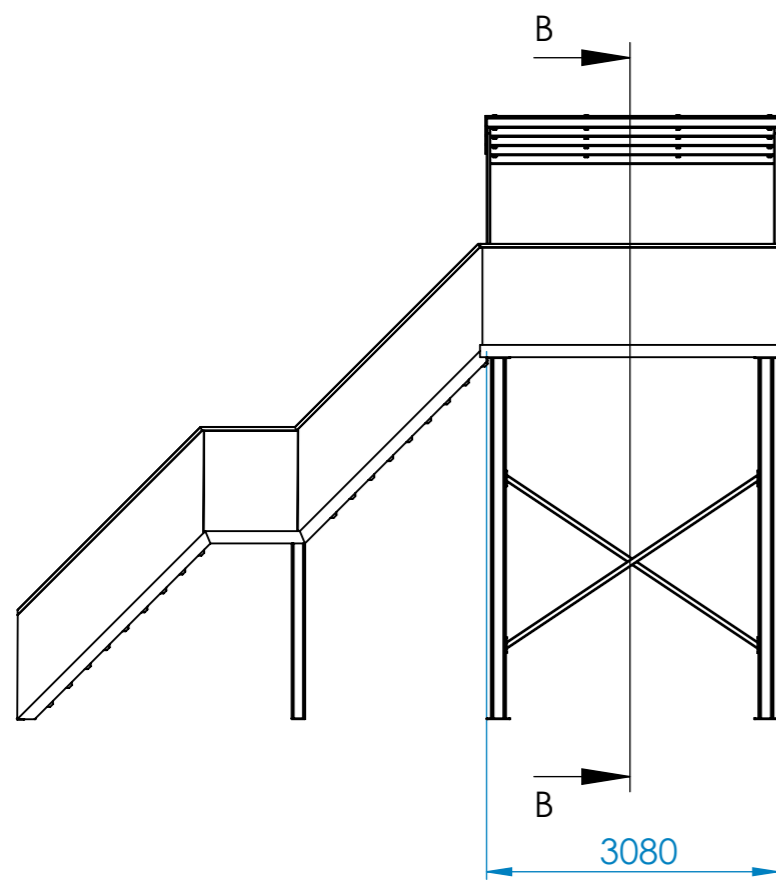


1.*Informative dimensions.

	Scale:	Drawn by:		2025-03-01	Description:	TV Camera Platform
	1:160	Check by:				
	Material:	Version:	3	2025-03-01	Number:	Sheet Sheets



1.*Informative dimensions.

	Scale:	Drawn by:	2025-03-01	Description:		
	1:80	Check by:		TV Camera Platform		
Material:	Version:	3	2025-03-01			
					2	2