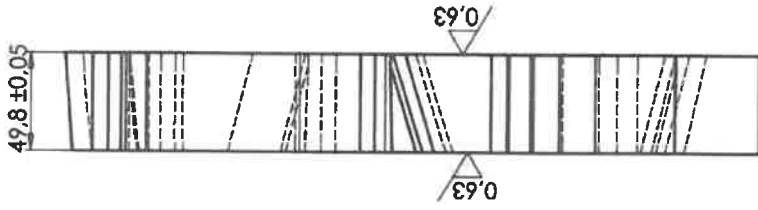
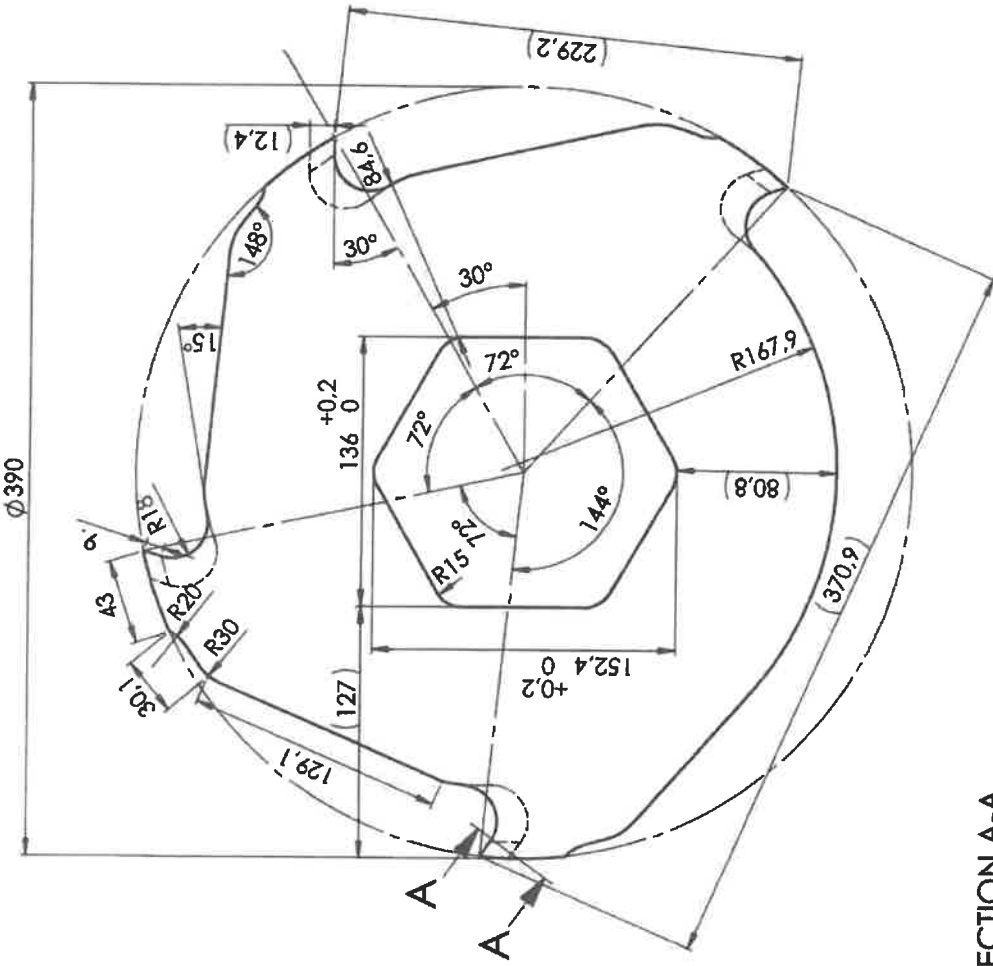
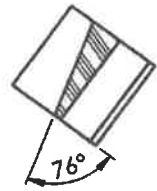


2.5 / (0.63)



SECTION A-A



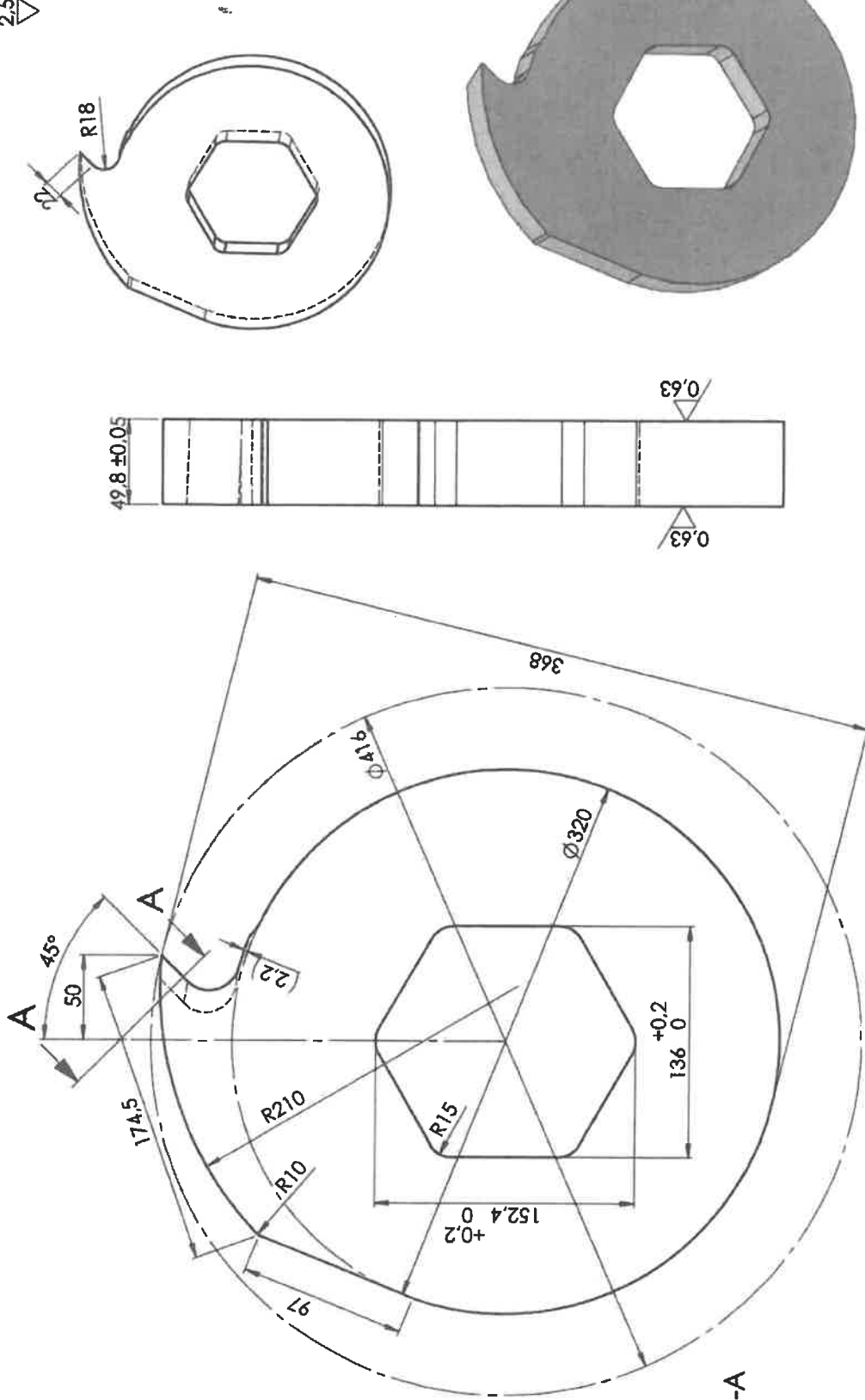
Material: 1.6587 carb. 2 mm hard 54-55 HRC

Non-tolerated dimensions and limit deviations of linear dimensions should be made according to ISO 2768-1 m.

Class / Range	>3-6	>6-30	>30-120	>120-400	>400-1000	>1000-2000
f - good	±0.05	±0.10	±0.15	±0.20	±0.30	±0.50
m - medium	±0.10	±0.10	±0.20	±0.30	±0.50	±1.20
Designated	Symbol	Number	Hardness	Date	Weight	

Weight	29.0 kg
Drew	
Checked	Knife Ø 390x49.8 - 4 teeth

2.5 / (0.63)



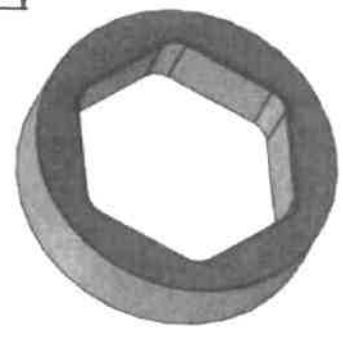
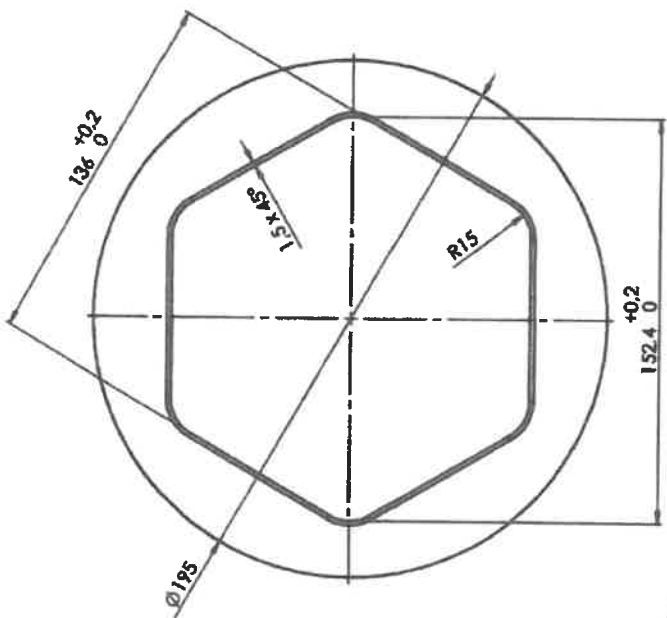
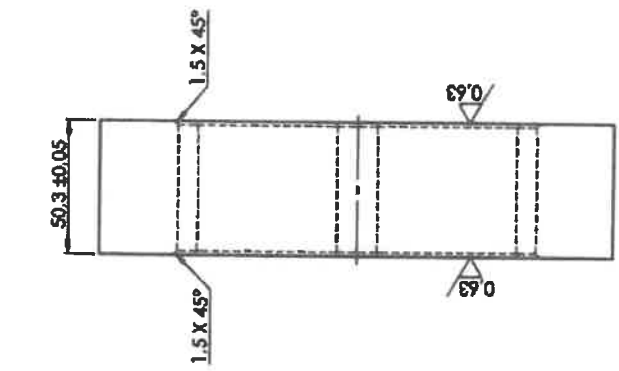
Material: 1.6587 carb. 2 mm hard 54-55 HRC

Non-tolerated dimensions and limit deviations of linear dimensions should be made according to ISO 2768-1 m.

Class / Range	0.5-3	>3-6	>6-30	>30-120	>120-400	>400-1000	>1000-2000
f - good	±0.05	±0.10	±0.20	±0.30	±0.50	±0.80	±1.20
m - medium	±0.10	±0.20	±0.40	±0.60	±1.00	±1.60	±2.50
Designated Symbol	Number	Hardness	Date	Weight			
				27.2 kg			
				Drew			
				Checked			

Knife Ø416x49,8 - 1 tooth

2.5 / (0.63)



Material: 40 HM 40 HRC

Non-specified dimensions and limit deviations of linear dimensions should be made according to ISO 2768-1 m.

Size / Feature	>3-4	>4-30	>30-120	>120-400	>400-1000	>1000-2000
±- global	±0.05	±0.10	±0.15	±0.20	±0.30	±0.50
m - maximum	±0.10	±0.20	±0.30	±0.50	±0.80	±1.20
Designated Number	None					
Weight	5.5 kg					
Checked	✓					

Spacer Ø 175x50.3

